

HORIZONTAL CONNECTIONS
TOUCHING STEEL USE 1/2"X2"
FLATHEAD STEEL BOLTS WITH
MATCHING NUT, FLAT AND
LOCK WASHERS.



Electric Tech Construction, inc.
1910 Mark Court, Suite 130
Concord, CA 94520

STAMP

PROPRIETARY AND CONFIDENTIAL

THE INFORMATION CONTAINED IN THIS
DRAWING IS THE SOLE PROPERTY OF
ELECTRIC TECH CONSTRUCTION, INC. ANY
REPRODUCTION IN PART OR AS A WHOLE
WITHOUT THE WRITTEN PERMISSION OF
ELECTRIC TECH CONSTRUCTION, INC. IS
PROHIBITED.

REVISIONS

DESCRIPTION	DATE	BY	REV

NOT FOR CONSTRUCTION UNLESS
LABELED AS CONSTRUCTION SET

SITE NAME

BART COMMERCIAL

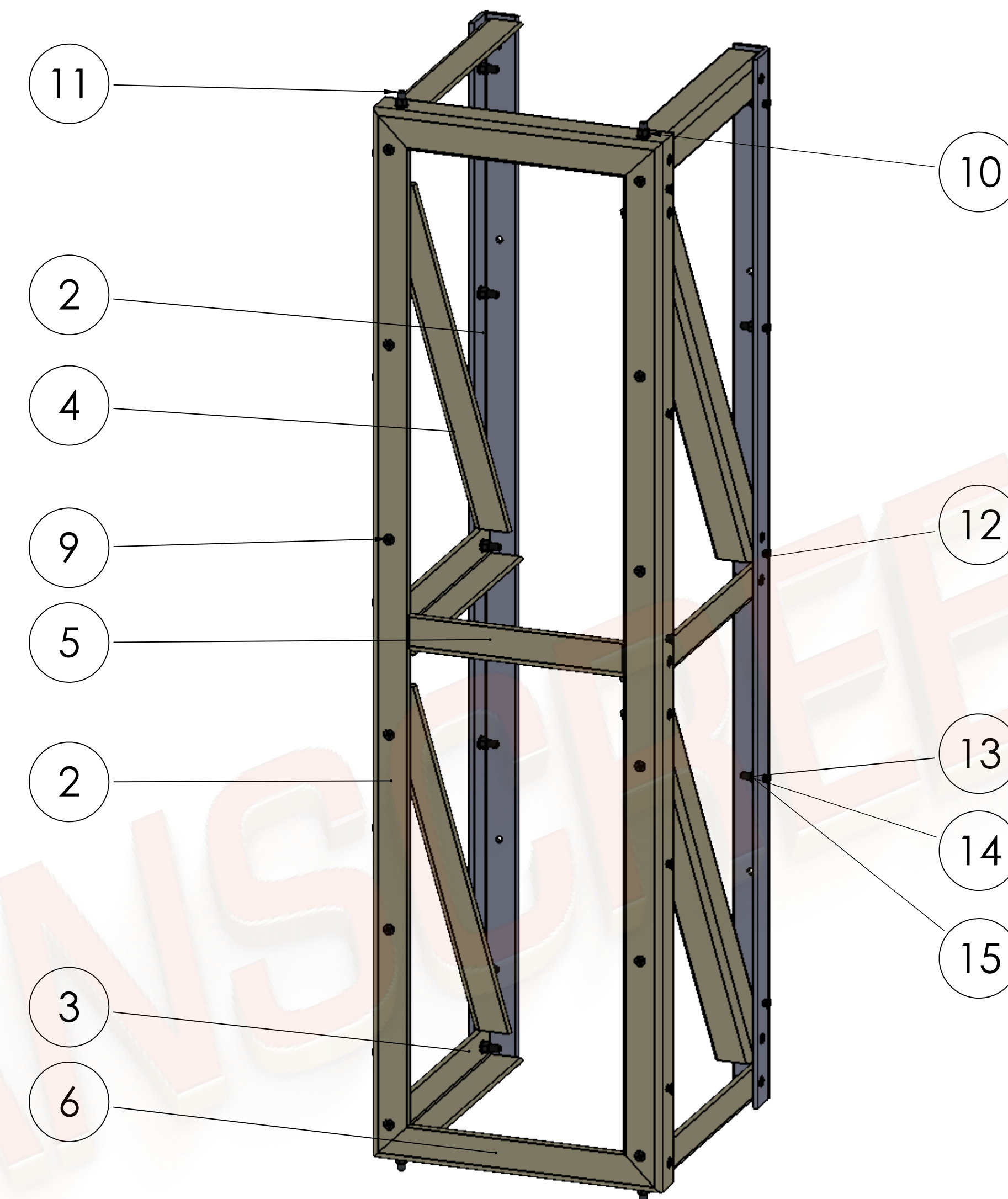
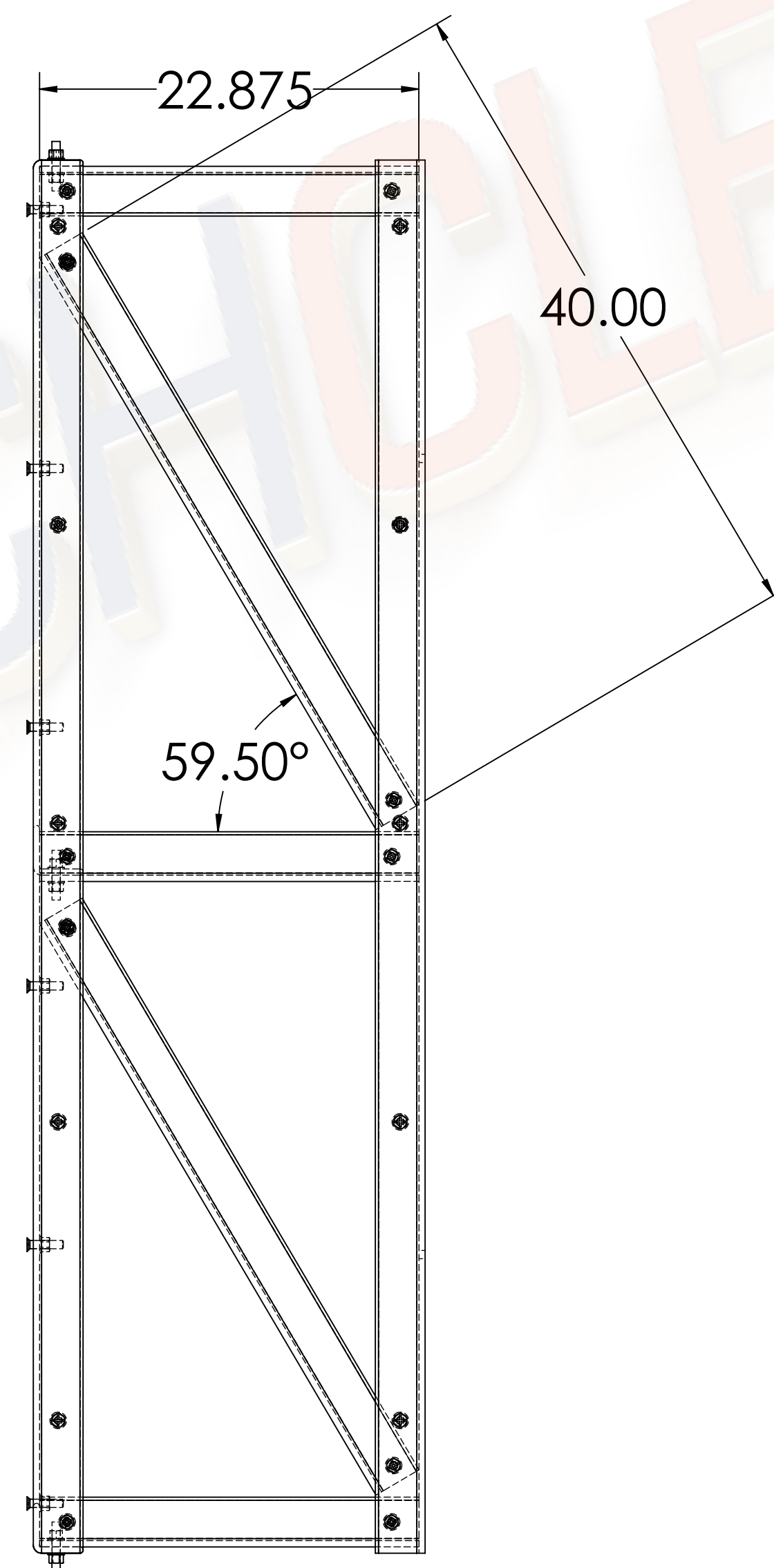
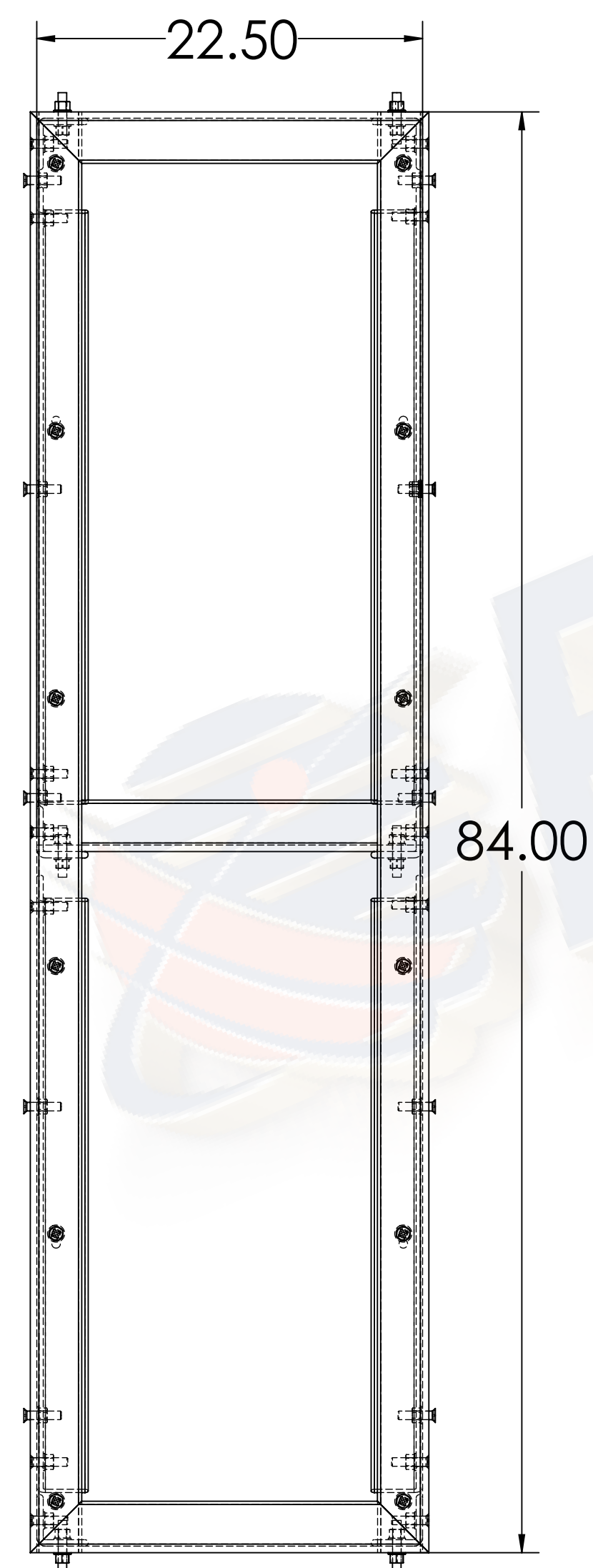
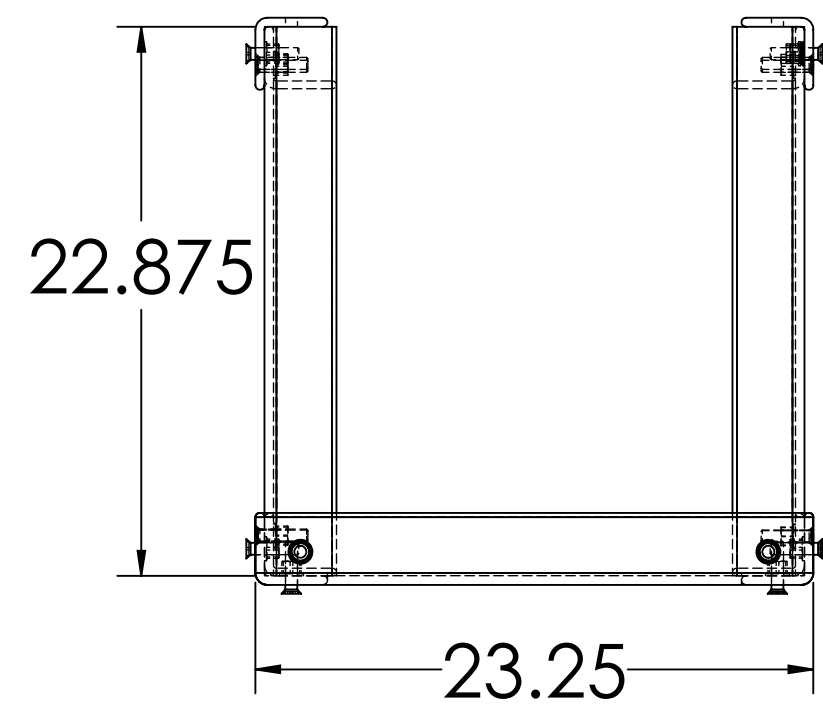
SITE CASCADE

SF52XC501

ADDRESS

20980 REDWOOD RD
CASTRO VALLEY, CA 94546

SHEET TITLE



ITEM NO.	DESCRIPTION	QTY.	LENGTH
1	3"X3/8" STEEL ANGLE	2	96"
2	3"X3/8" FRP ANGLE	2	96"
3	3"X3/8" FRP ANGLE	6	22.875"
4	3"X3/8" FRP ANGLE	4	40"
5	3"X3/8" FRP ANGLE	1	22.5"
6	3"X3/8" FRP ANGLE	2	24"
7	23.625"X3/8" FRP PLATE	2	96"
8	24"X3/8" FRP PLATE	1	96"
9	1/2"X2" FRP BOLT	32	
10	1/2" FRP HEX FLANGE NUT	44	
11	1/2" FRP ALL THREAD	6	3"
12	1/2"X2" FLAT HEAD STEEL BOLT	20	
13	1/2" STEEL HEX FLANGE NUT	20	
14	1/2" STEEL FLAT WASHER	20	
15	1/2" STEEL LOCK WASHER	20	



Electric Tech Construction, inc.
1910 Mark Court, Suite 130
Concord, CA 94520

STAMP

PROPRIETARY AND CONFIDENTIAL

THE INFORMATION CONTAINED IN THIS DRAWING IS THE SOLE PROPERTY OF ELECTRIC TECH CONSTRUCTION, INC. ANY REPRODUCTION IN PART OR AS A WHOLE WITHOUT THE WRITTEN PERMISSION OF ELECTRIC TECH CONSTRUCTION, INC. IS PROHIBITED.

REVISIONS

DESCRIPTION	DATE	BY	REV.

NOT FOR CONSTRUCTION UNLESS LABELED AS CONSTRUCTION SET

SITE NAME

BART COMMERCIAL

SITE CASCADE

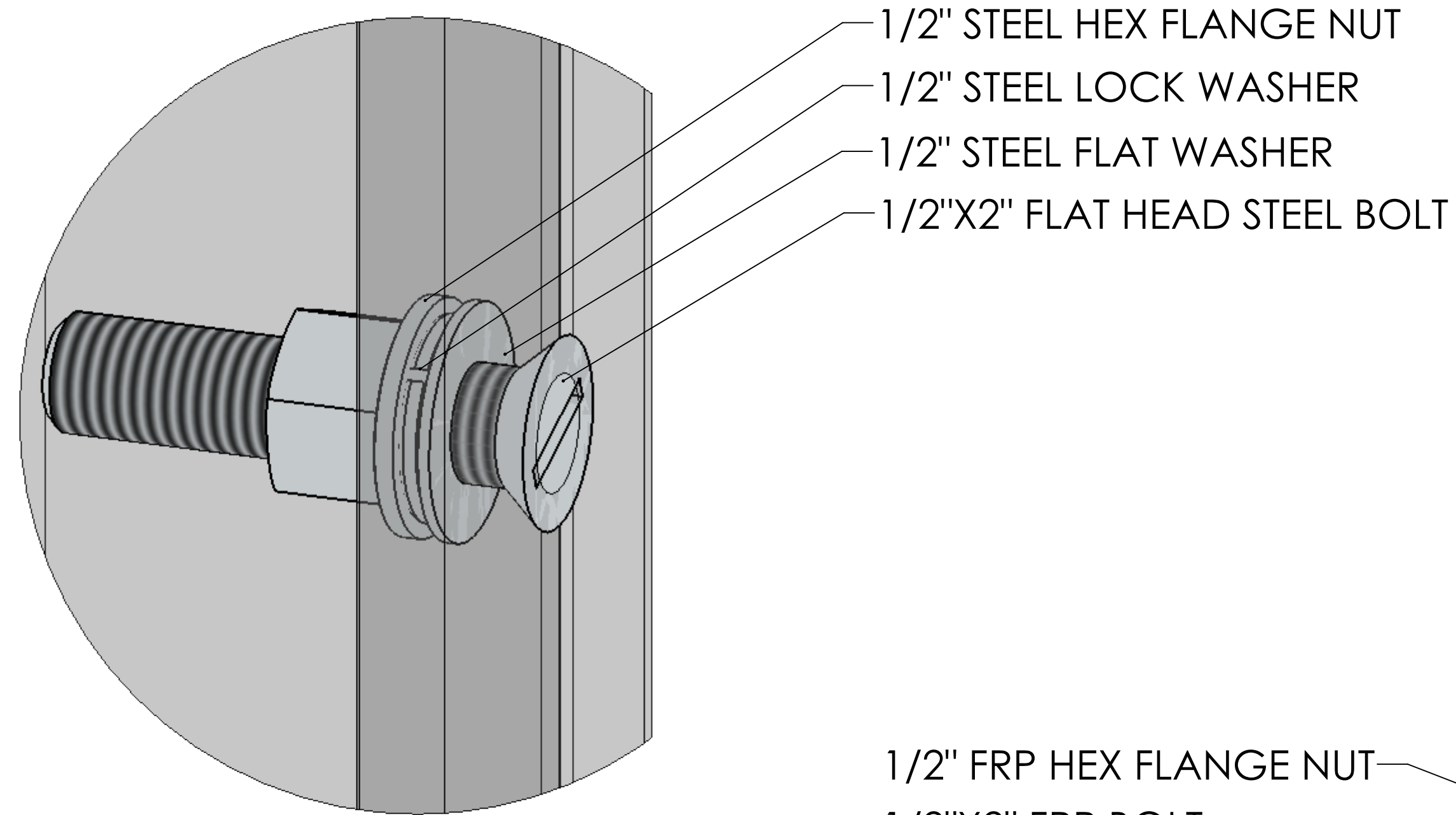
SF52XC501

ADDRESS

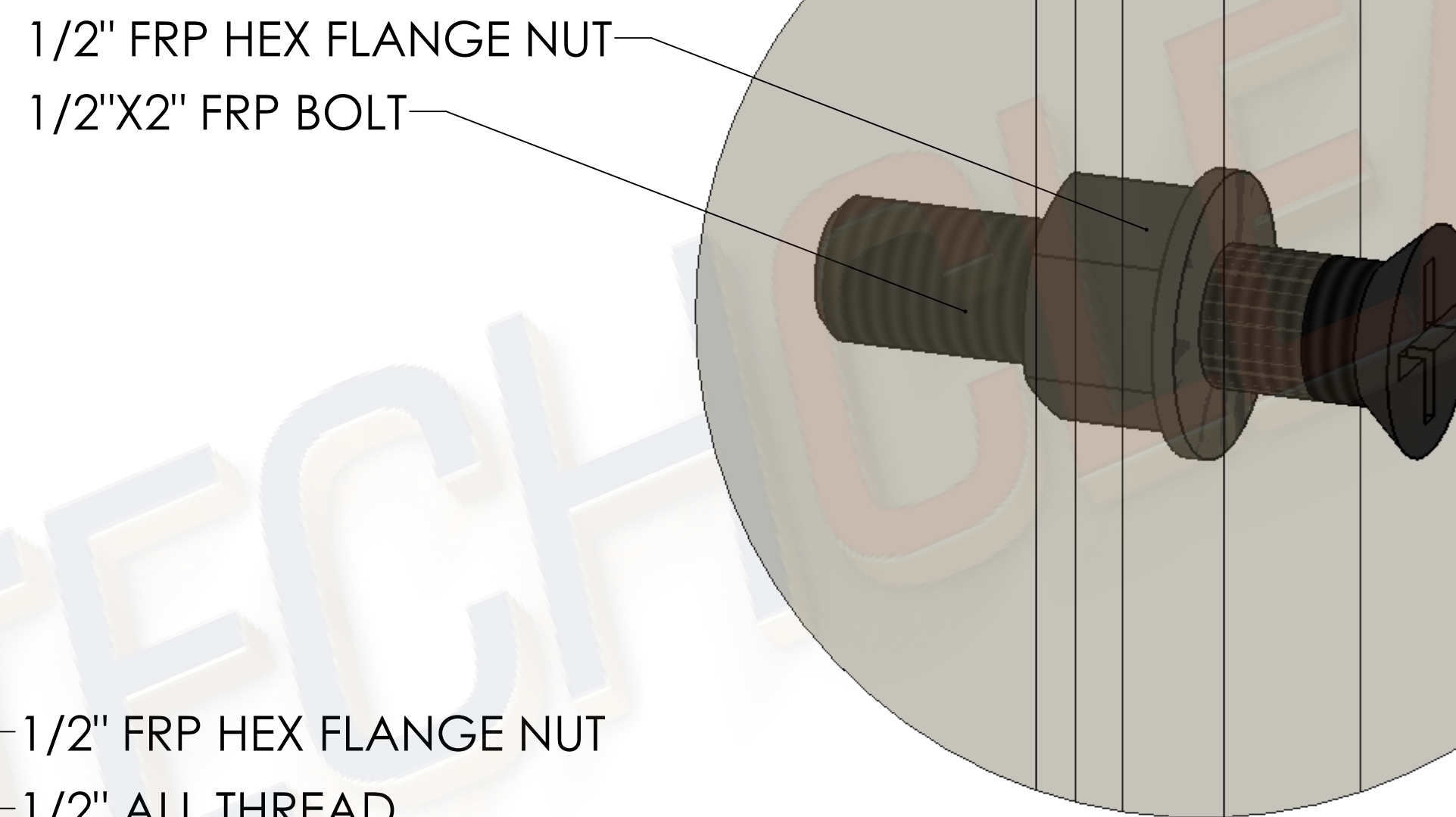
20980 REDWOOD RD
CASTRO VALLEY, CA 94546

SHEET TITLE

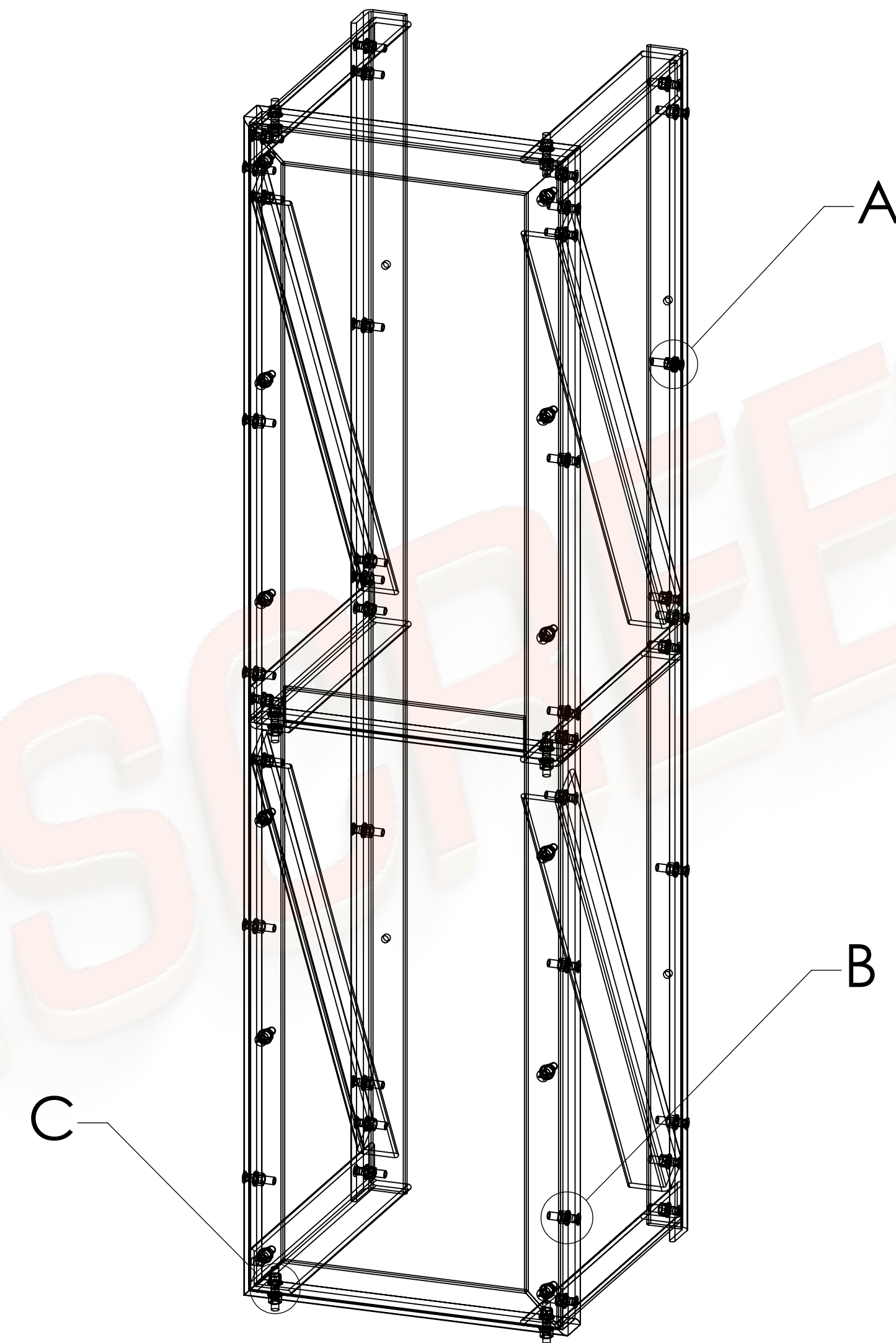
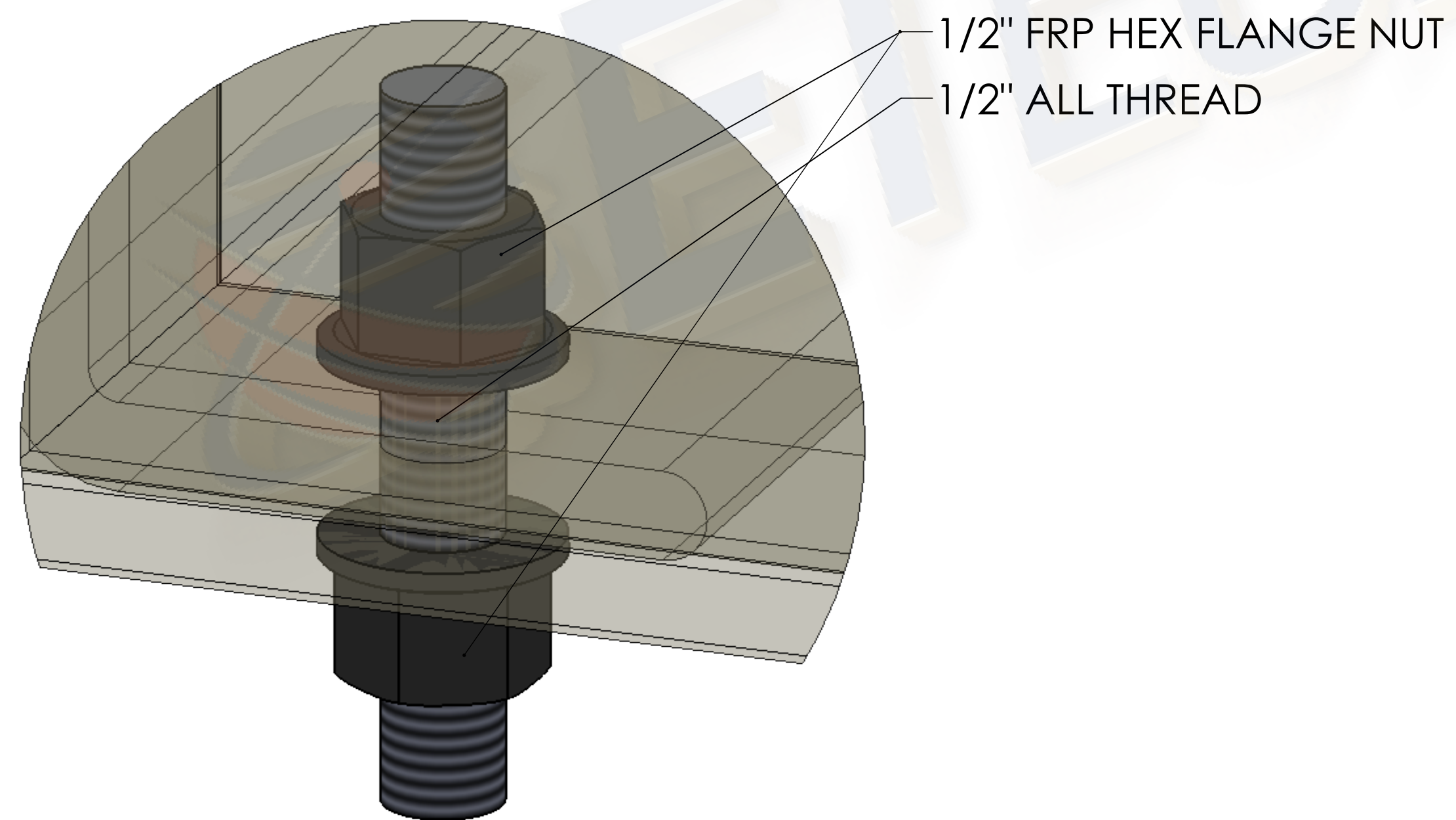
DETAIL A
FRP TO STEEL
PANEL CONNECTION
SCALE 2 : 1



DETAIL B
FRP TO FRP
PANEL CONNECTION
SCALE 2 : 1



DETAIL C
FRP VERTICAL CONNECTION
SCALE 2 : 1



Electric Tech Construction, inc.
1910 Mark Court, Suite 130
Concord, CA 94520

STAMP

PROPRIETARY AND CONFIDENTIAL

THE INFORMATION CONTAINED IN THIS DRAWING IS THE SOLE PROPERTY OF ELECTRIC TECH CONSTRUCTION, INC. ANY REPRODUCTION IN PART OR AS A WHOLE WITHOUT THE WRITTEN PERMISSION OF ELECTRIC TECH CONSTRUCTION, INC. IS PROHIBITED.

REVISIONS

DESCRIPTION	DATE	BY	REV.

NOT FOR CONSTRUCTION UNLESS LABELED AS CONSTRUCTION SET

SITE NAME

BART COMMERCIAL

SITE CASCADE

SF52XC501

ADDRESS

20980 REDWOOD RD
CASTRO VALLEY, CA 94546

SHEET TITLE