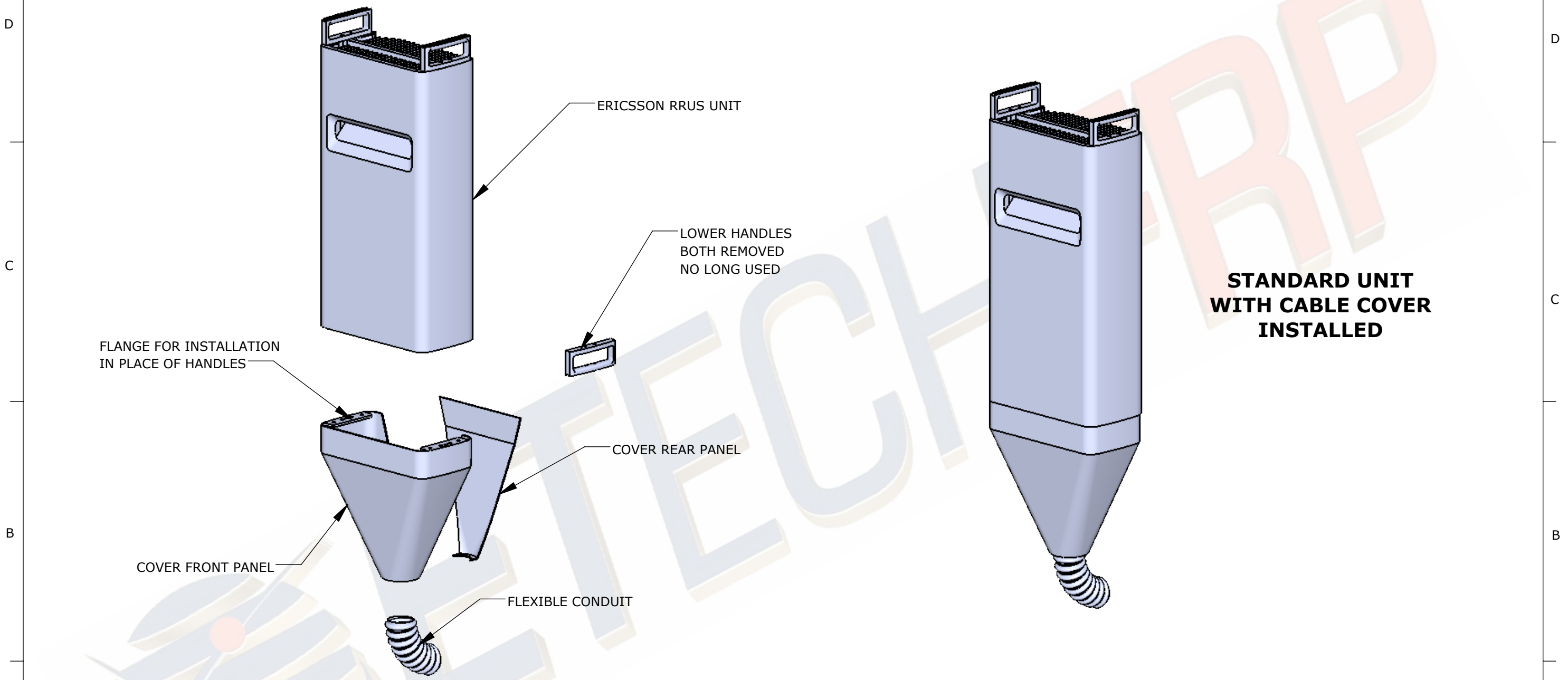


REVISIONS				
REV	DESCRIPTION	ZONE	DATE	NAME
A	RELEASED		2016-00-00	

**UNIT WITH CABLE COVER  
EXPLODED VIEW**



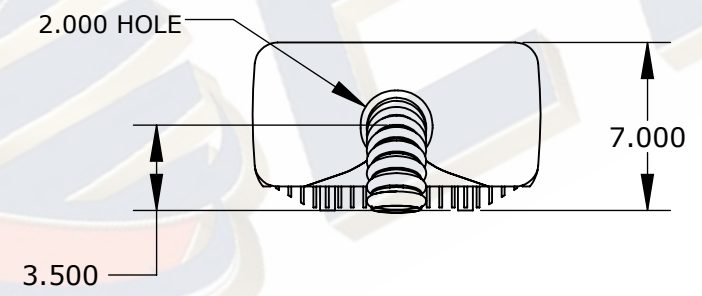
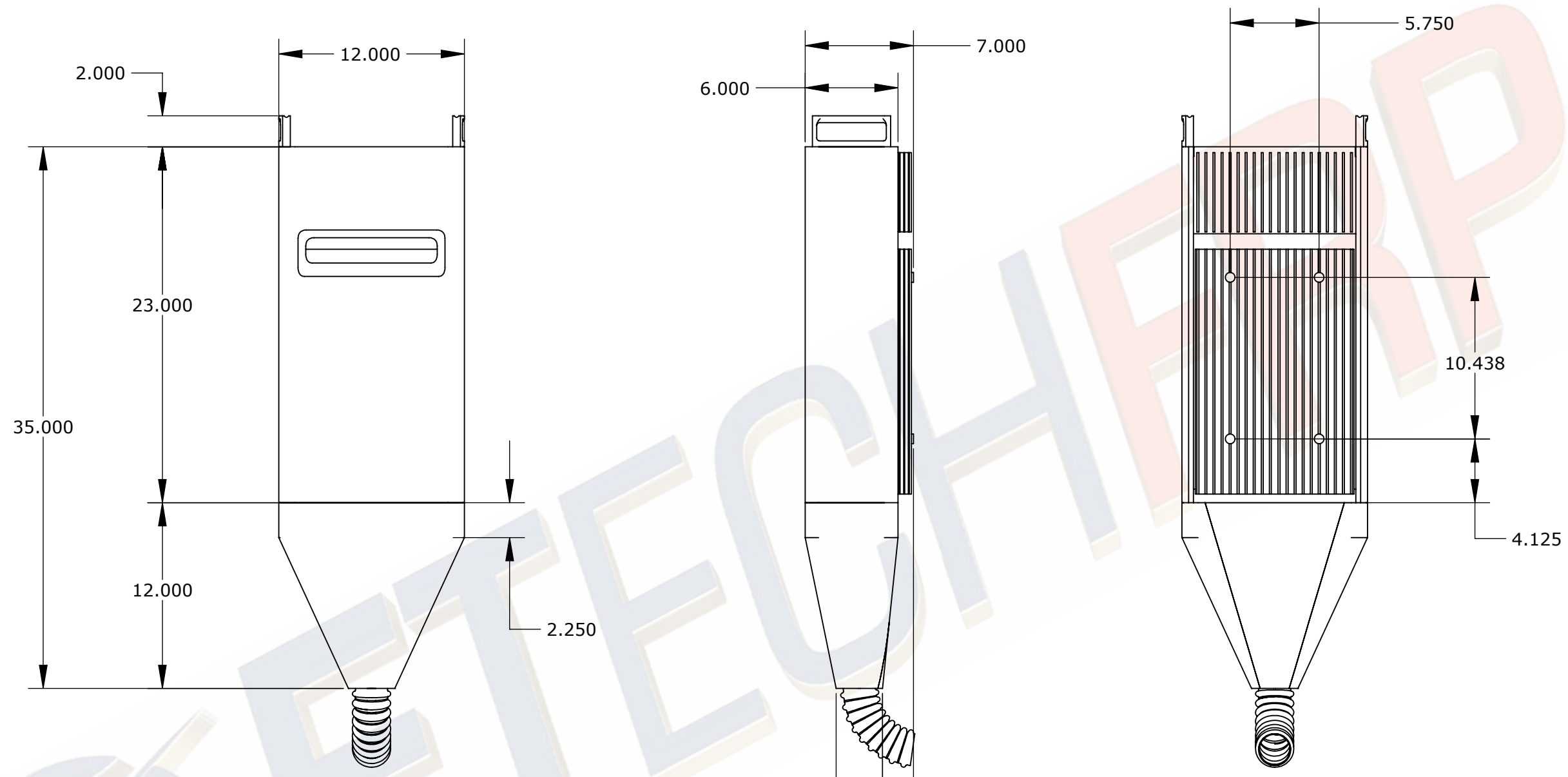
FILE NAME: Cell RRUS-32 Assembly  
LAST SAVED: Thursday, November 02, 2017 4:16:56 PM

THIS DRAWING IS THE PROPERTY OF AND CONTAINS CONFIDENTIAL INFORMATION PROPRIETARY TO ELECTRIC TECH CONST. INC. AND SHALL BE USED ONLY FOR THE PURPOSE FOR WHICH IT WAS PROVIDED AND SHALL NOT BE REPRODUCED OR DISCLOSED TO OTHERS.

NAME	DATE	UNLESS OTHERWISE SPECIFIED DIMENSIONS ARE IN: INCHES			Electric Tech Construction, Inc 1910 Mark Court Ste 130, Concord, CA, 94520 Tel: 847-525-3985		
DRAWN:		TOLERANCES:	LINEAR	ANG °	Ericsson RRUS Unit with Cable Cover		
CHECKED:							
MATERIAL: , ρ =		FRACTIONAL ±	1/32	0.10	B 0 A		
FINISH:		DECIMAL X.X ±	0.100				
		DECIMAL X.XX ±	0.010		SIZE DWG NUM SHEET 1 OF 2 REV		
		DECIMAL X.XXX ±	0.003				
WEIGHT: lbs		BREAK SHARP EDGES: MACHINED FINISHED: < 125 x u-INCH					
		SCALE: 1:8					

8 7 6 5 4 3 2 1

D  
C  
B  
A



THIS DRAWING IS THE PROPERTY OF AND CONTAINS CONFIDENTIAL INFORMATION PROPRIETARY TO ELECTRIC TECH CONST. INC. AND SHALL BE USED ONLY FOR THE PURPOSE FOR WHICH IT WAS PROVIDED AND SHALL NOT BE REPRODUCED OR DISCLOSED TO OTHERS.

NAME	DATE	UNLESS OTHERWISE SPECIFIED DIMENSIONS ARE IN: INCHES			Electric Tech Construction, Inc 1910 Mark Court Ste 130, Concord, CA, 94520 Tel: 847-525-3985		
DRAWN:		TOLERANCES:	LINEAR	ANG °	Ericsson RRUS Unit with Cable Cover		
CHECKED:							
MATERIAL:		FRACTIONAL ±	1/32		B 0 A		
, ρ =		DECIMAL X.X ±	0.100	0.10			
FINISH:		DECIMAL X.XX ±	0.010	0.01	SIZE DWG NUM SHEET 2 OF 2 REV		
		DECIMAL X.XXX ±	0.003				
WEIGHT: lbs		BREAK SHARP EDGES: MACHINED FINISHED: < 125 x u-INCH					
		SCALE: 1:8					

8 7 6 5 4 3 2 1