

Electric Tech Construction, inc.  
 1910 Mark Court, Suite 130  
 Concord, CA 94520

STAMP

**PROPRIETARY AND CONFIDENTIAL**

THE INFORMATION CONTAINED IN THIS DRAWING IS THE SOLE PROPERTY OF ELECTRIC TECH CONSTRUCTION, INC. ANY REPRODUCTION IN PART OR AS A WHOLE WITHOUT THE WRITTEN PERMISSION OF ELECTRIC TECH CONSTRUCTION, INC. IS PROHIBITED.

**REVISIONS**

DESCRIPTION	DATE	BY	REV

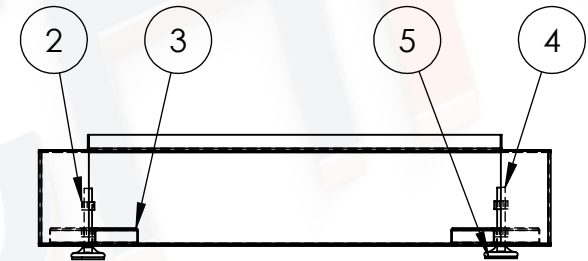
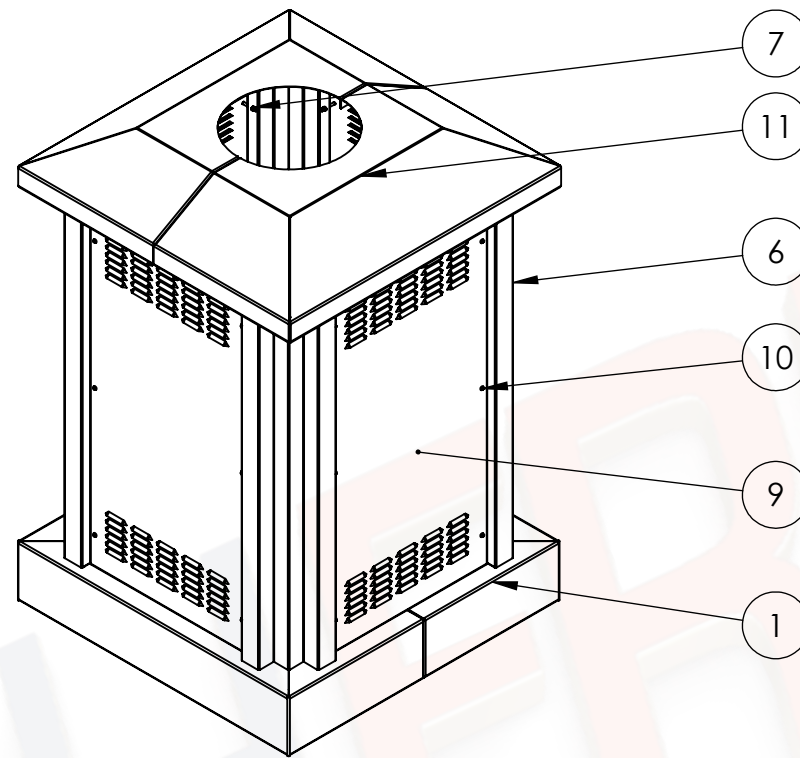
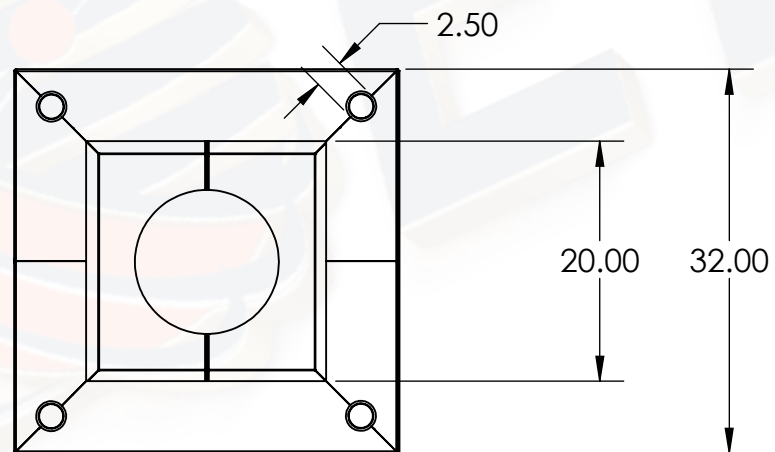
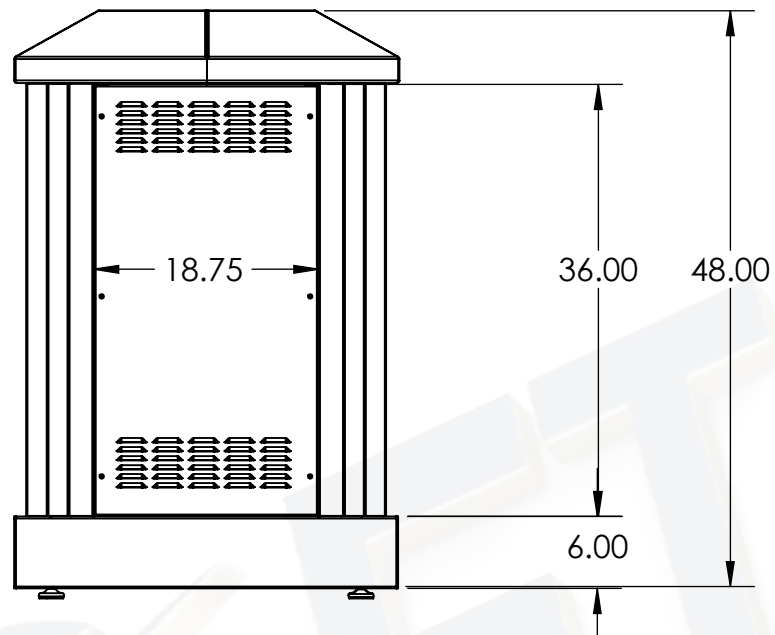
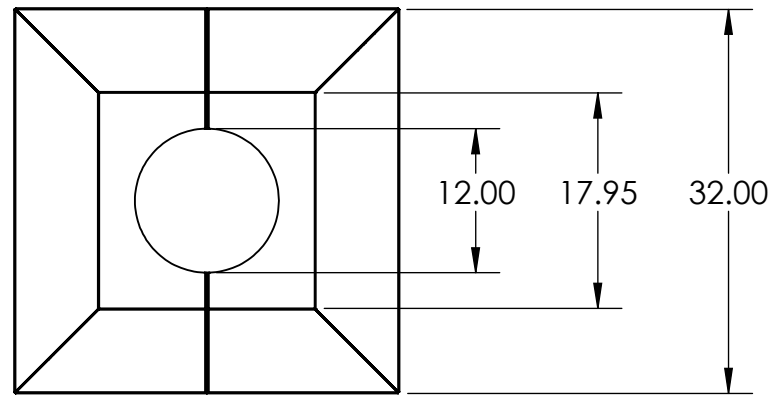
NOT FOR CONSTRUCTION UNLESS LABELED AS CONSTRUCTION SET

PROJECT NAME

SITE NAME

SITE CASCADE

SHEET TITLE



Base assembly with levelling feet

ITEM NO.	PART NAME	QTY.
1	Base	2
2	1/2" Hex Nut	8
3	Levelling Mount	4
4	Levelling Rod	4
5	Leveling Foot	4
6	Corners	4
7	M5 Hex Nut	40
8	M5x12 Torx Screw	16
9	Side	4
10	M5x40 Torx Screw	24
11	Top Cover	2



Electric Tech Construction, inc.  
1910 Mark Court, Suite 130  
Concord, CA 94520

STAMP

**PROPRIETARY AND CONFIDENTIAL**

THE INFORMATION CONTAINED IN THIS DRAWING IS THE SOLE PROPERTY OF ELECTRIC TECH CONSTRUCTION, INC. ANY REPRODUCTION IN PART OR AS A WHOLE WITHOUT THE WRITTEN PERMISSION OF ELECTRIC TECH CONSTRUCTION, INC. IS PROHIBITED.

**REVISIONS**

DESCRIPTION	DATE	BY	REV

NOT FOR CONSTRUCTION UNLESS LABELED AS CONSTRUCTION SET

PROJECT NAME

SITE NAME

SITE CASCADE

SHEET TITLE