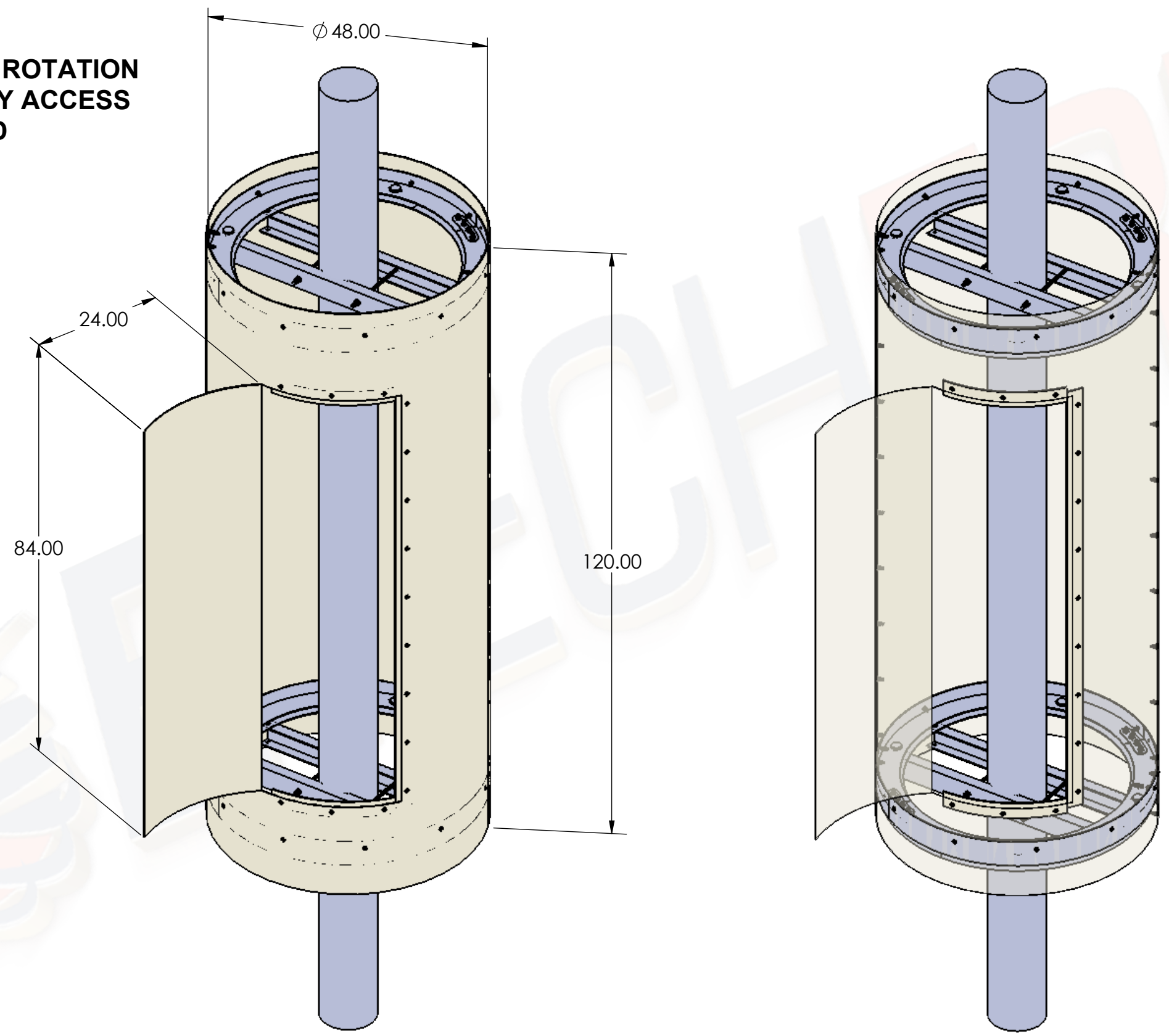


**SPINNING RADOME WITH
TRANSPARENT DOOR AND
HINGE**

**FULL 360 DEGREE ROTATION
ALLOWS FOR EASY ACCESS
TO ALL INSTALLED
EQUIPMENT**



Electric Tech Construction, inc.
1910 Mark Court, Suite 130
Concord, CA 94520

STAMP

PROPRIETARY AND CONFIDENTIAL

THE INFORMATION CONTAINED IN THIS
DRAWING IS THE SOLE PROPERTY OF
ELECTRIC TECH CONSTRUCTION, INC. ANY
REPRODUCTION IN PART OR AS A WHOLE
WITHOUT THE WRITTEN PERMISSION OF
ELECTRIC TECH CONSTRUCTION, INC. IS
PROHIBITED.

REVISIONS

DESCRIPTION	DATE	BY	REV

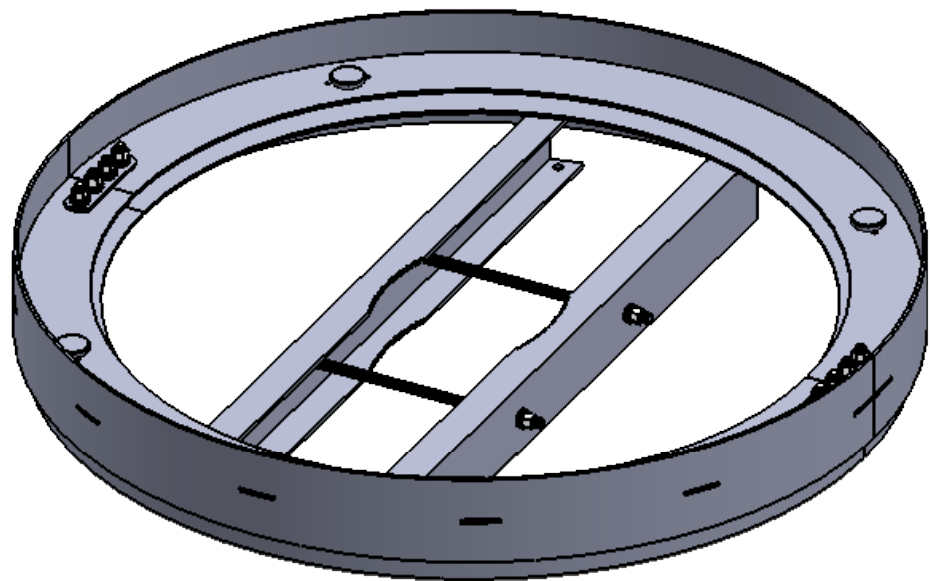
NOT FOR CONSTRUCTION UNLESS
LABELED AS CONSTRUCTION SET

PROJECT NAME

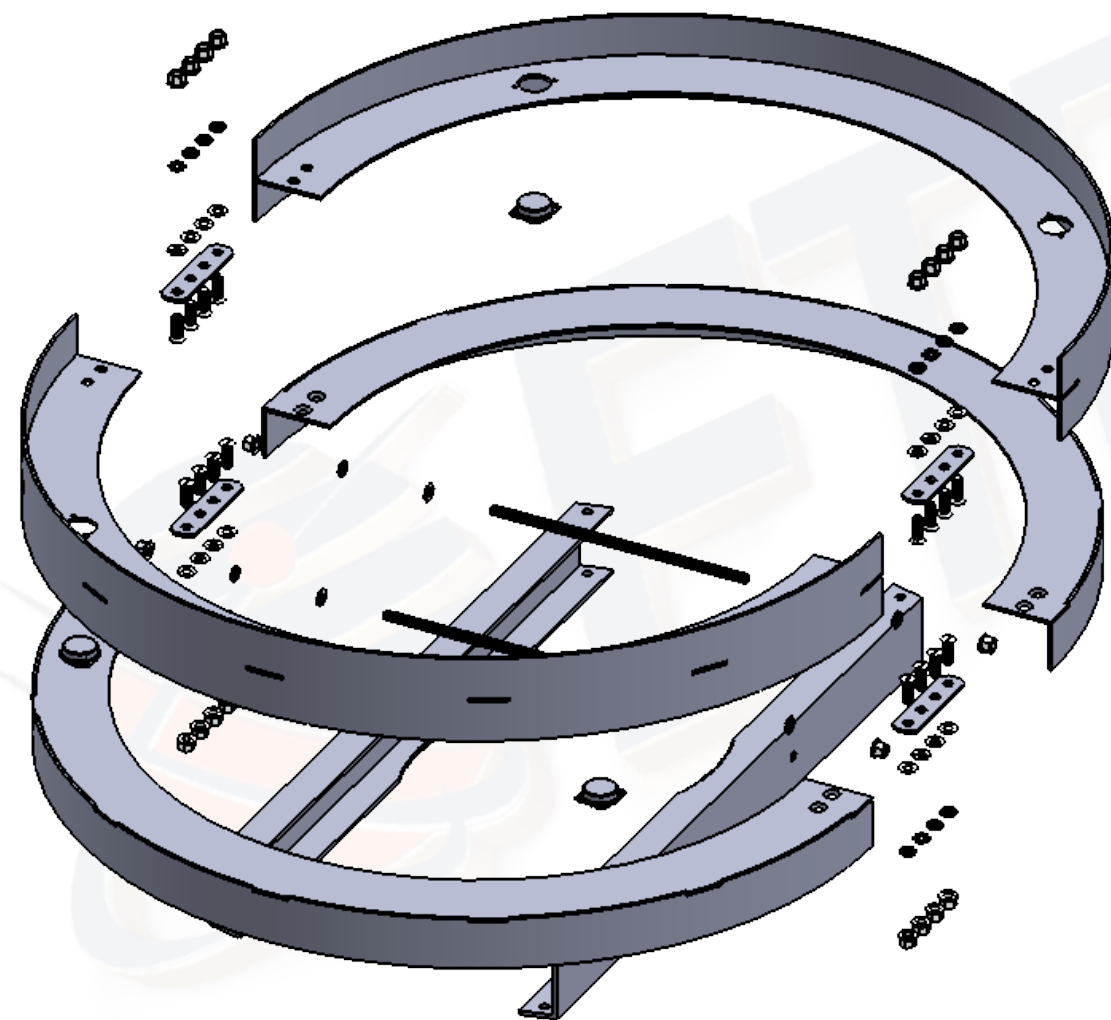
SITE NAME

SITE CASCADE

SHEET TITLE



**COMPLETE ROTATING COLLAR
ASSEMBLED**



**COMPLETE ROTATING COLLAR
EXPLODED VIEW**

AVAILABLE SIZES*
3'
3'-6"
4'
4'-6"
5'
6'
7'

*RADOMES ARE STACKABLE AND COME STANDARD AT 10' TALL. CUSTOM HEIGHTS ARE AVAILABLE UPON REQUEST.



Electric Tech Construction, inc.
1910 Mark Court, Suite 130
Concord, CA 94520

STAMP

PROPRIETARY AND CONFIDENTIAL

THE INFORMATION CONTAINED IN THIS DRAWING IS THE SOLE PROPERTY OF ELECTRIC TECH CONSTRUCTION, INC. ANY REPRODUCTION IN PART OR AS A WHOLE WITHOUT THE WRITTEN PERMISSION OF ELECTRIC TECH CONSTRUCTION, INC. IS PROHIBITED.

REVISIONS

DESCRIPTION	DATE	BY	REV

NOT FOR CONSTRUCTION UNLESS LABELED AS CONSTRUCTION SET

PROJECT NAME

SITE NAME

SITE CASCADE

SHEET TITLE